

AGD202

21.5" Lightweight and Slim Double-Sided Monitor for Table Gaming Applications

Features

- Extremely slim double-sided monitor with only 25mm thickness
- Panel lifetime up to 30,000 hours
- Resolution up to 1920 x 1080@60Hz
- Supports HDMI and DP interface
- Supports tailoring LED pattern in one minute by AxLED software
- Built-in LED light bar pattern for more than 15 modes
- LED light bar pattern controlled by USB interface
- Lightweight design with only 6 kg
- 0°C to 40°C operating temperature range



Specifications

Panel Size	21.5 inch color TFT LCD
Aspect Ratio	16:9 (portrait)
Backlight	LED backlight
Resolution	1920 x 1080 @60Hz (max.)
Active Area	476.064 mm x 267.786 mm
Pixel Pitch	247.95um
Viewing Angle (H/V)	178°/178° (typ.)
Contrast Ratio	1000:1 (typ.)
Luminance	250 cd/m² (typ.)
Response Time	22ms
Surface Treatment	Anti-Glare, 3H
Operating Temperature	0°C to 40°C (32°F to 104°F)
Dimensions (H x W x D)	548 mm x 322 mm x 25 mm (without stand pole) 968 mm x 322 mm x 124 mm (with stand pole)
Weight	6 kg (exclude cables and adapter)

Interface

I/O Connector	HDMI x 1 DP x 1 USB x 1 (light bar pattern control)
---------------	---

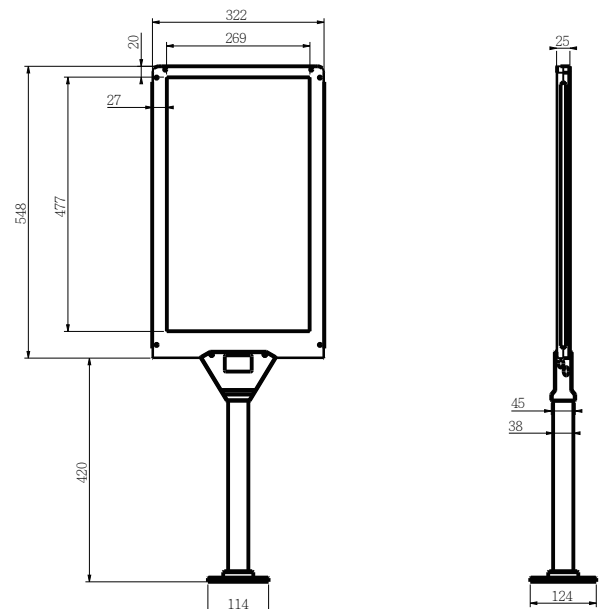
Power

Power Input	12V/60W DC Input
-------------	------------------

Ordering Information

AGD202	21.5" double-sided monitor, thickness only 25mm, 30k hours panel life time
--------	--

Dimensions



* All specifications and photos are subject to change without notice.

For more information please contact: gaming@axiomtek.com.tw No. 1123-0001801